



Product:

The ultimate task light

w127 Winkel

w127 Winkel is designed to provide the best possible task light at a feasible price. Today, it is our flagship product, our most award-winning and best-selling task light, a favourite among many renowned architects – and with good reason. We spent over three years developing what we consider to be the most refined task light ever seen: a sublime unity of parts, where every design choice is based on providing light that is nothing less than perfect.

Design:

Dirk Winkel



Dirk Winkel is a Berlin-based product designer who graduated from the Royal College of Art London (MA Design Products) in 2010. He is specialized in lighting and furniture design and set up his studio in Berlin in summer 2011. Driven by belief in the beauty of formal purism and the classic principle of 'less but better', some of his great interests are the exploration of pushing the boundaries of mass production techniques, the rethinking of light and lighting paradigms, and the investigation of new materials and their potential. From 2012 to 2016 he has been teaching in the Industrial Design course of the UdK Berlin. His work has won numerous awards and nominations like the Swedish Design Award (Svensk Form), Designs of the Year (London) and the German Design Award.



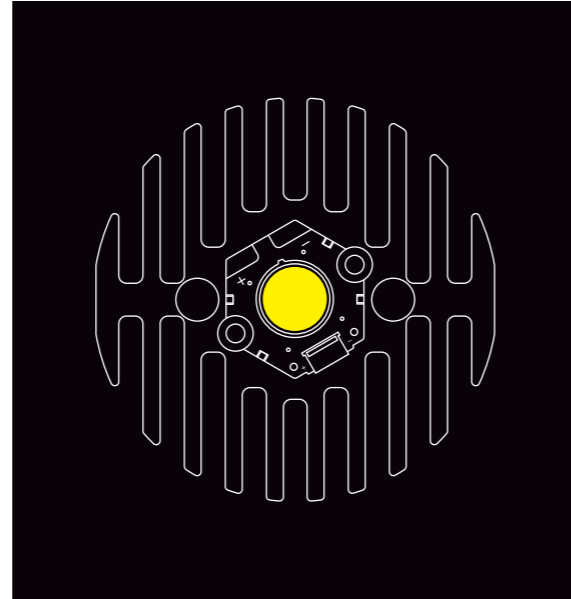
High-performance light

w127 Winkel's entire concept is built on providing state-of-the-art light, and in this, it truly excels. Built around a COB LED, its well thought through, precisely engineered lighting solution comprises several individual system components. Each of these plays its own vital role in delivering a generous yet incredibly even spread of high-quality, dimmable light over a large surface. Thanks to the biopolyamide material's heat insulating qualities, paired with a sophisticated heat management system, powerful light can be combined with safe handling and a long lifespan. Last but not least, a built-in timer switches the light off after nine hours, for even greater energy efficiency.



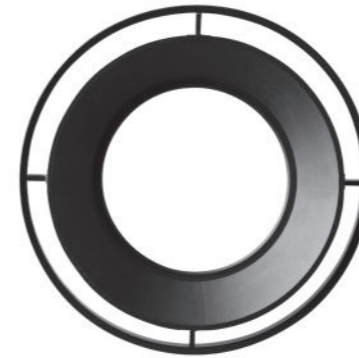
Renewable and recyclable material

Together with German chemical company BASF we've created a cost-efficient design and production process with no compromise on quality, environment or tactility. A high-performance recyclable biopolyamide material – based on over 60% biologically sourced material from the castor plant – provides all the advantages of plastic, while minimising its disadvantages. Fibreglass reinforcement adds strength and an almost ceramic feel – a beautiful tactility.



Efficient glare protection

w127 Winkel features an effective anti-glare construction that guarantees glare protection without significant loss of light.



Advanced mechanics with nothing to hide

w127 Winkel's arms are pure, solid biopolyamide, with the power cord and micro-spring attached to their exterior, fully visible; this well-planned arm and joint construction provides stability and flexibility, all the way from shade to table mount. We see the design as a celebration of this material – straightforward, solid and honest, with no second skin, no coat of paint, and nothing to hide.

Additional features

- Energy efficient
- Long lasting light source
- High colour rendering index
- Flicker-free light
- Flat-pack



Versatile mounting

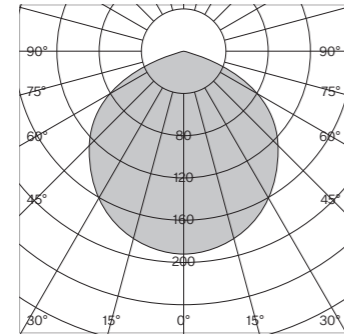
The w127 Winkel family is designed for maximum versatility, with several mounting options – base, clamp, pin, wall/rail bracket – as well as a range of adapters for integration with table systems from various furniture manufacturers.



Technical information

Luminous intensity distribution (polar)

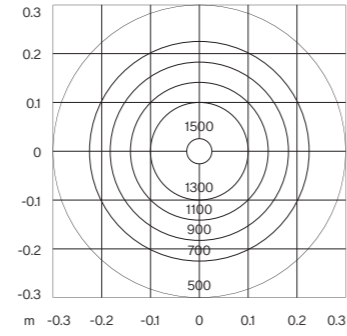
w127 Winkel
LED / Input 36VDC
Luminaire luminous flux: 501lm
Luminaire luminous efficacy: 84lm/W



● C0/C180
● C90/C270

Isolux

h: 0.4 m
E-max: 1550 lux



Physical	Mounting	Article-specific information
	Material	Lamp body, shade & glare shade: solid biopolyamide Heat sink: aluminium Diffuser & reflector: polycarbonate Base/clamp: solid biopolyamide & steel Wall/Rail bracket: aluminium Pin: stainless steel
	Cord length	200 cm
	Colour	Article-specific information
	Operation	Integrated dimmer switch

LED	Light source	COB LED (included)
	Life time expectancy	50,000 h
	Luminous flux (light source)	1000 lm
	Luminous efficacy (light source)	166 lm/W
	Colour temperature (CCT)	3000 K
	Colour Rendering Index (CRI)	CRI 97, GAI 80
	Max colour variation	3 SDCM

Optics	Diffuser	
	Reflector	
	Glare protection	

Electronic	Watt	6 W	Modulation	0.73%
	Voltage	100–240 V	Flicker index	0.0
	Light control	Dimmable	SVM	0.0 (flicker-free)
	Timer	9 h		

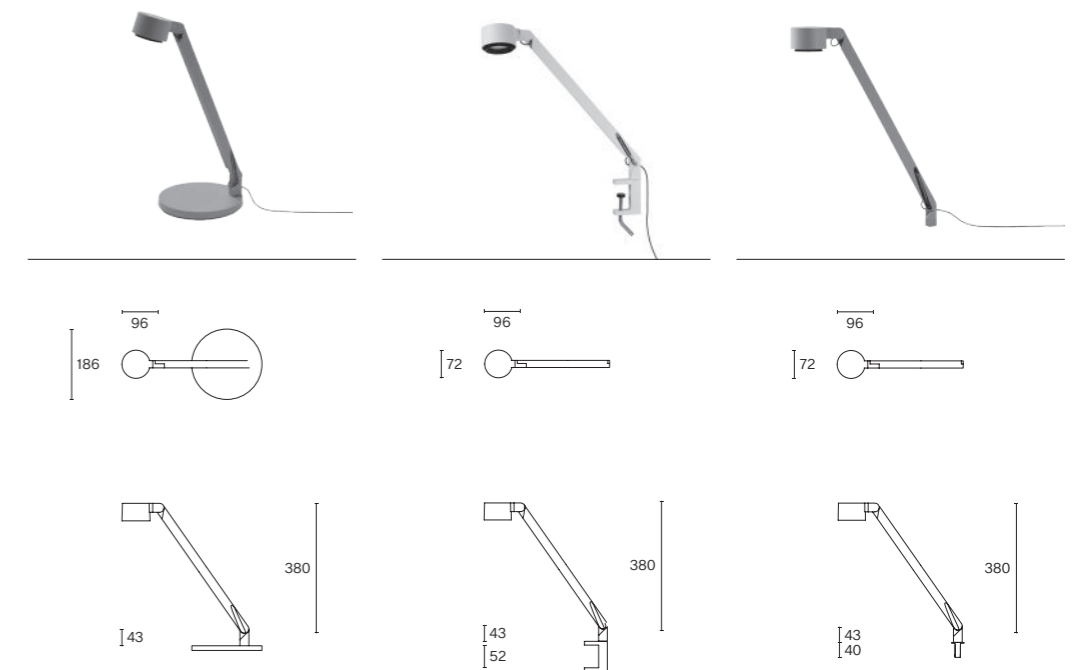
Packaging	Dimensions	L54 × W38 × H10 cm (0.02 m ³)
	Gross weight	Article-specific information



w127 Winkel b1

w127 Winkel c1

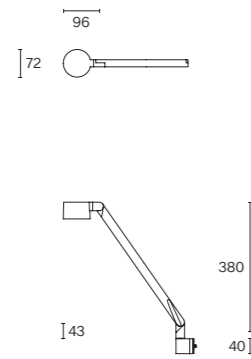
w127 Winkel p1



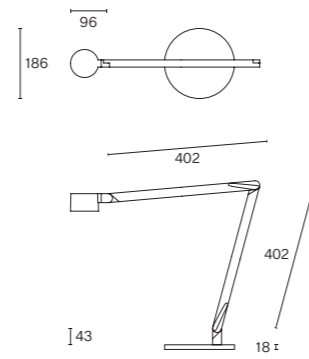
Article-specific information

Version	b1	c1	p1
Mounting	Base	Clamp	Pin – integrated (hole ø12 mm)
Arm	One arm	One arm	One arm
Gross weight	5 kg	2 kg	2 kg
Colour	Art. No. / EAN code	Art. No. / EAN code	Art. No. / EAN code
White	● 127B102.2 / 7330492006116	● 127C102.2 / 7330492006154	● 127P102.2 / 7330492006192
Black	● 127B105.2 / 7330492006130	● 127C105.2 / 7330492006178	● 127P105.2 / 7330492006215
Grey	● 127B104.2 / 7330492006123	● 127C104.2 / 7330492006161	● 127P104.2 / 7330492006208

w127 Winkel br1



w127 Winkel b2

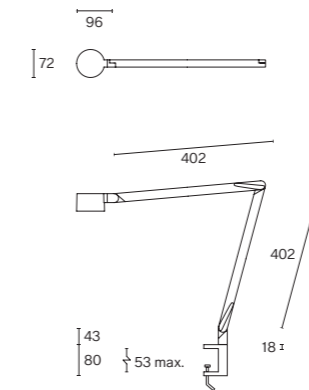


Article-specific information

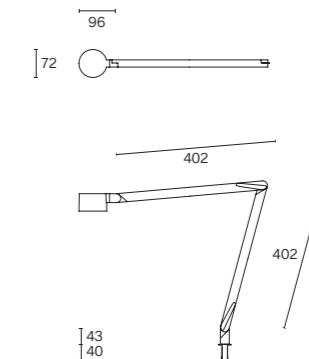
Version	br1	b2
Mounting	Wall/Rail bracket	Base
Arm	One arm	Two arms
Gross weight	2 kg	5 kg

Colour	Art. No. / EAN code	Art. No. / EAN code
White	127BR102.2 / 7330492006239	127B202.2 / 7330492006277
Black	127BR105.2 / 7330492006253	127B205.2 / 7330492006291
Grey	127BR104.2 / 7330492006246	127B204.2 / 7330492006284

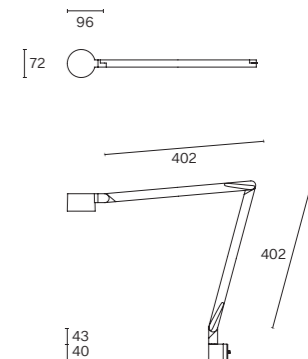
w127 Winkel c2



w127 Winkel p2



w127 Winkel br2



Article-specific information

Version	c2	p2	br2
Mounting	Clamp	Pin – integrated (hole ø12 mm)	Wall/Rail bracket
Arm	Two arms	Two arms	Two arms
Gross weight	2 kg	2 kg	2 kg

Colour	Art. No. / EAN code	Art. No. / EAN code	Art. No. / EAN code
White	127C202.2 / 7330492006314	127P202.2 / 7330492006352	127BR202.2 / 7330492006390
Black	127C205.2 / 7330492006338	127P205.2 / 7330492006376	127BR205.2 / 7330492006413
Grey	127C204.2 / 7330492006321	127P204.2 / 7330492006369	127BR204.2 / 7330492006406